

# Cila Go

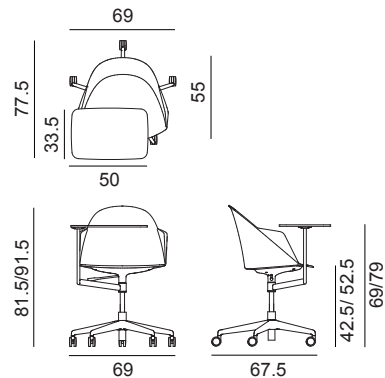
Design by Lievore Altherr, 2019

## Art. 2314

Armchair on a 5 way reinforced nylon fibre swivel base (black or white) mounted on self-braking castors (in the same colour as the base) and complete with writing tablet 50x33.5 cm in HPL with top and rotating arm in the same colour as the base. Polypropylene shell available in 5 colours.



Dimensions \*



\* File CAD 2D - 3D available for download at [www.arper.com](http://www.arper.com)

Frame Base



PA00001



PA00002

Shell

Polypropylene



PC00001



PC00002



PC00003



PC00004



PC00005

arper

www.arper.com

info@arper.com


# Cila Go


## Design by Lievore Altherr, 2019

---

### SHIPMENT DETAILS

#### Art.2314

1 pz = 3  - kg 16,87/ m<sup>2</sup> 0,253

4 pz = 9  - kg 63,83/ m<sup>2</sup> 0,638

### RESISTANCE TEST

- TUV GS (EN16139)

### ENVIRONMENTAL CERTIFICATIONS



### TECHNICAL SPECIFICATIONS

#### Art.2314

\*Classe 1, 2, 1IM: fire retardant version available with surcharge and eventual minimum batch

### FIRE RETARDANT TEST

Classe 1IM Omologazione Italia Field Kvadrat Remix 3 Kvadrat Steelcut  
2 Kvadrat Steelcut Trio 3 Kvadrat Coated fabric Valencia Spradling

arper

www.arper.com  
info@arper.com

www.arper.com